

Linear Actuator JC35DH



Data sheet

Linear Actuator JC35DH

Features

- 24V DC permanent magnet motor
- Thrust up to 6000 N in push and up to 4000 N in pull
- Color: grey or black
- Standard protection class: IP43
- Aluminium-Alloy outer tube and inner tube, beautiful and corrosion resistant
- Low noise; The average noise level is lower than 48dB (ambient noise is less than 40dB).
- Built-in electronic limit switches
- High-strength front and back fixtures
- The actuator can go up or down by crank after the power is off
- Certificate : CE



Options

/

Usage

- Ambient temperature: +5 ° to +40 °
- Duty cycle: Max 10% or 2 minutes continuous use followed by 18 minutes not in use
- Matching control box: JCB35T

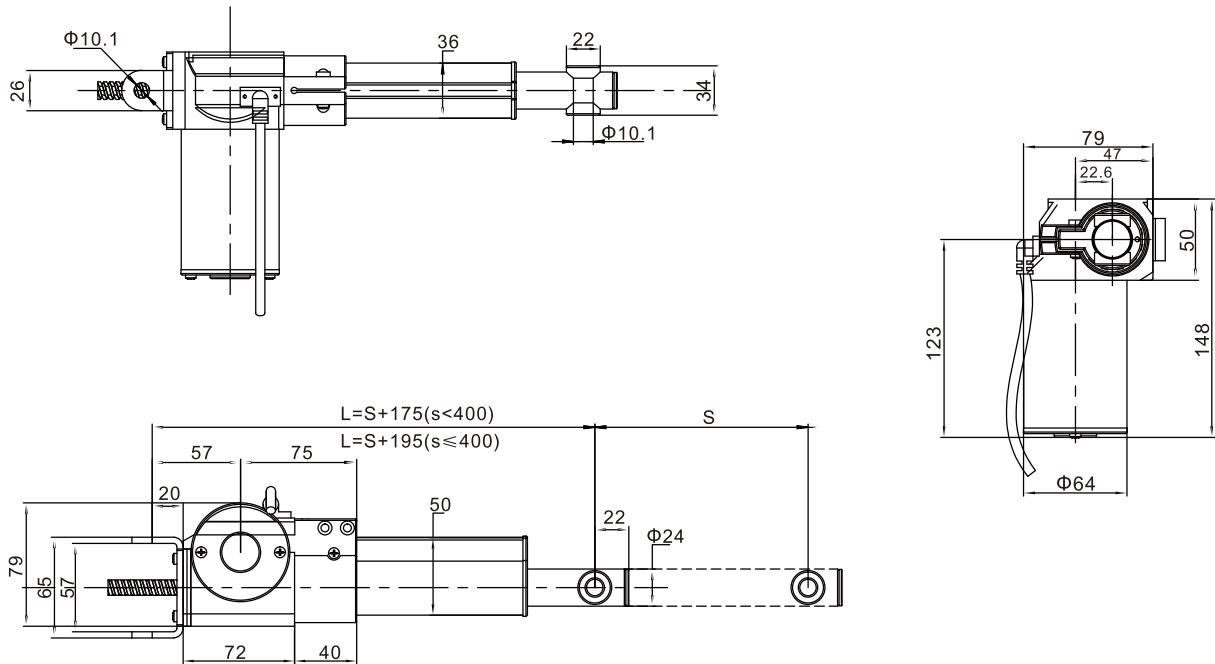
Technical specifications

Spindle pitch (mm)	Max. load push (N)	Max. load pull (N)	Self-lock (N)	Typical speed Unloaded (mm/s)	Typical speed full load (mm/s)	Typical Amp full load (A)
4.25	6000	6000	6000	5.5	3.5	6

Comments to table

- The above measures are made in connection with 24V DC stabilized voltage supply.
- JIECANG control boxes are designed so that they will short-circuit the motor terminals (poles) of the actuator(s) when the actuator(s) are not running. This solution gives the actuator(s) a higher self-locking ability. If the actuator(s) are not connected to a JIECANG control box, the terminals of the motor must be short-circuited to achieve the self-locking ability of the actuator.
- When the load in push is above 6000N, the max. stroke length is 400mm.

Dimension



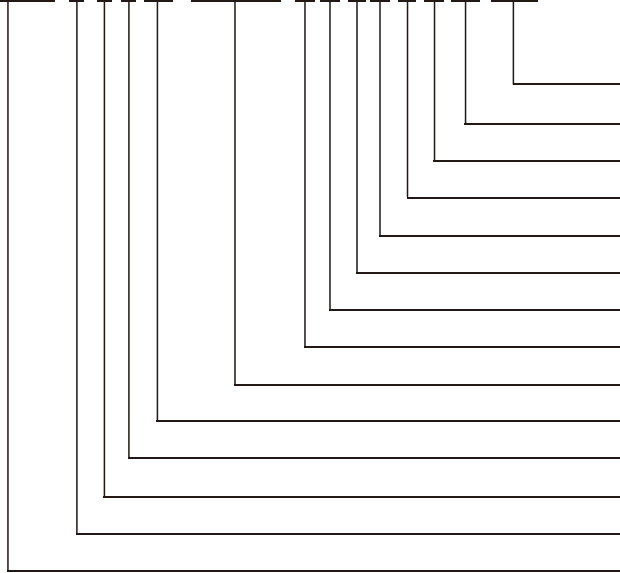
Installation dimensions

$$L = S + 175 \quad (S < 400)$$

$$L = S + 195 \quad (S \geq 400)$$

Ordering Key

JC35D1 H 6 3 24 200/395 V B 0 Z D 0 00 3D0



Cable length	3D0=3M
Plug and cable	
Brake	0=None
Top clevis	D=slot 6.5, hole10.1
End clevis material	Z=allumen
End clevis	
Color	B=Black
Mounting position	H=horizontal V=vertical
Stroke/Retracted lenght	
Input voltage	24V
Speed at full load	3mm/s
Load capacity	6000N
Optional feature	H Hand crank
Type	